

# 60W 6 Zones USB/SD/FM Mixer Amplifier DS-PA660



## Key Features

- Built-in MP3/Tuner/USB/SD card inputs
- 6 zones output with pre-amplifier, 6 channels @ 100V outputs
- 3 LINE& 2 MIC inputs with individual volume control
- Mute function, easy to insert priority broadcast
- Each zone with independent switch; bass and treble controlled
- With level indicators and 5-unit LED display
- Output short-circuit protection

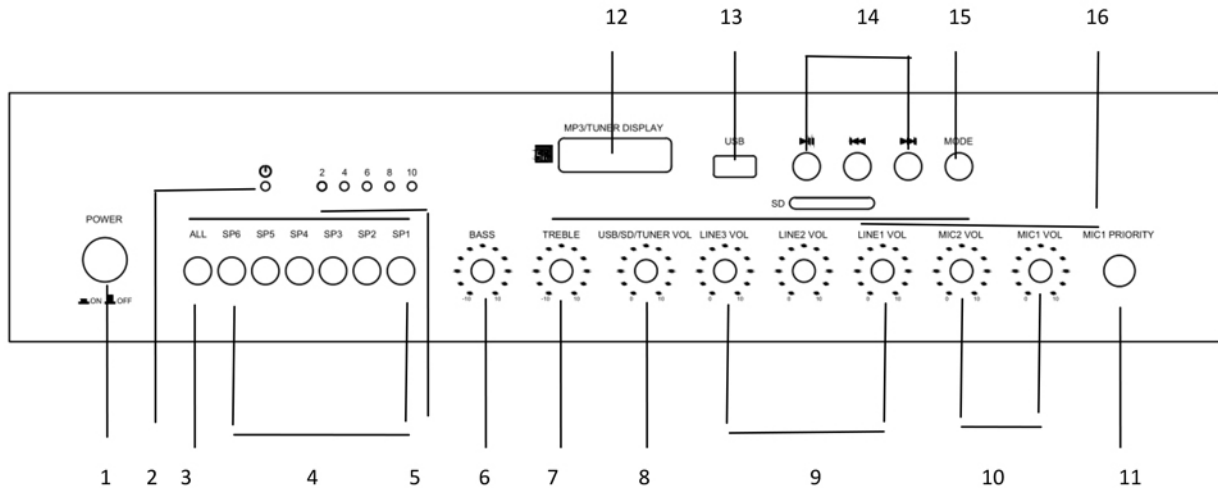
## Description

DS-PA660 is a 60W 6 channel USB/SD/FM Mixer Amplifier for public address. It integrates 3 audio sources-USB, SD and FM and 6 channels. It has 2 microphone inputs and 3 extra aux inputs, and Mic 1 is provided with priority and muting function. Bass and treble controls and master volume control are provided. Complete protection includes short circuit and thermal protection, current limiter and overloading. This amplifier can be applied to different cases, such as supermarket, classroom, bank, church, school, hotel, restaurant, theme centers and shopping center, etc.

## Specifications

Model	DS-PA660
Rated output	60W
Output regulation	Less than 3dB
Speaker output	100V
AUX output	0dBV
Input Sensitivity	Mic1,2 : 3mV( $\pm$ 0.5mV) unbalanced
	Line 1,2,3 : 300mV( $\pm$ 30mV) unbalanced
Frequency response	65Hz-20kHz ( $\pm$ 3dB)
Distortion	Less than 1% at 1kHz , 1/3 rated output voltage
The ratio of signal to noise ratio	Mic1 and 2 : Bigger than 80dB
	Line 1, 2 and 3 Bigger than 80dB
Tone	Bass : $\pm$ 12dB at 100Hz
	Treble : $\pm$ 12dB at 10kHz
FM	87.5MHz-108.0MHz
MP3 Input Sensitivity	230-280mV
Protection	AC fuse; DC voltage; overload; short-circuit.
Muting function	Mic1 overrides other input signals with 0 - -30dB attenuation
Power requirements	AC 220-240V/50-60Hz
Power consumption	100W
Dimensions	430×280×88mm
Gross weight	8.5kg
Net weight	7.2kg

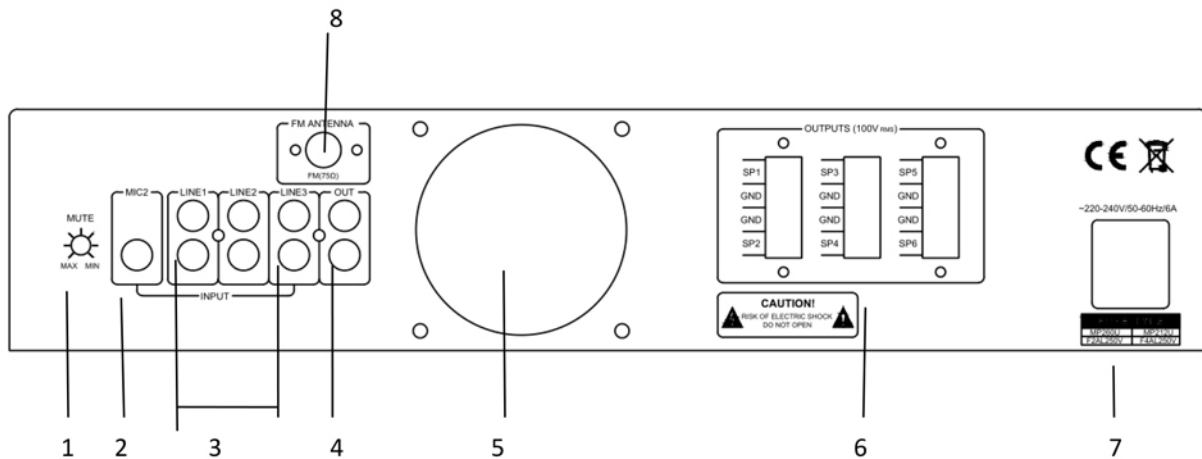
## Front Panel



1. MAIN POWER SWITCH (power indicator lighting as ON state)
2. LED POWER INDICATOR (for main power)
3. ZONE ALL ON BUTTON
4. ZONE BUTTON OF SIX
5. LED LEVEL METER (indicate output level)
6. BASS CONTROL (adjust bass response)
7. TREBLE CONTROL (adjust treble response)
8. MP3/SD/TUNER OUTPUT VOLUME CONTROL
9. LINE VOLUME CONTROL (adjust Line input volume)
10. MIC VOLUME CONTROL (adjust microphone volume)
11. MIC1 INPUT JACK (connect to microphone of unbalanced 30-600Ω with 1/4" phone plug and the muting function is activated while the signal is sent to Mic 1)
12. MP3/TUNER DISPLAY
13. MP3 USB INPUT JACK
14. MP3/TUNER PLAYER CONTROL BUTTON
15. SOUND OF OUTPUT SELECTOR BUTTON
16. MP3 SD JACK

NOTE: When all the five elements (+10dB) of the LED level meter remain lit, it indicates that the sound is distorted. In such case, adjust each volume controlling knob, until LED element 4 (+8dB) and LED element 5 (+10dB) shall flashing.

## Rear Panel



1. MUTE CONTROL (adjust muting function)
2. MIC2 INPUT (connect to the microphones at unbalanced 30-600  $\Omega$  with 1/4 " phone plug and the signals from Mic2 will be muted by the signal from Mic1)
3. LINE 1 INPUT, LINE 2 INPUT & LINE 3 INPUT (connect to linear source equipment)
4. LINE OUTPUT (connect a recorder)
5. FAN EXHAUST WINDOW
6. 6 ZONE OUTPUT TERMINALS (connect to speakers)
7. AC POWER CONNECTOR (connect to AC power source)
8. FM ANTENNA

Note: When connecting to speakers, use one pair of speaker output terminals only.

## Connection Diagram

